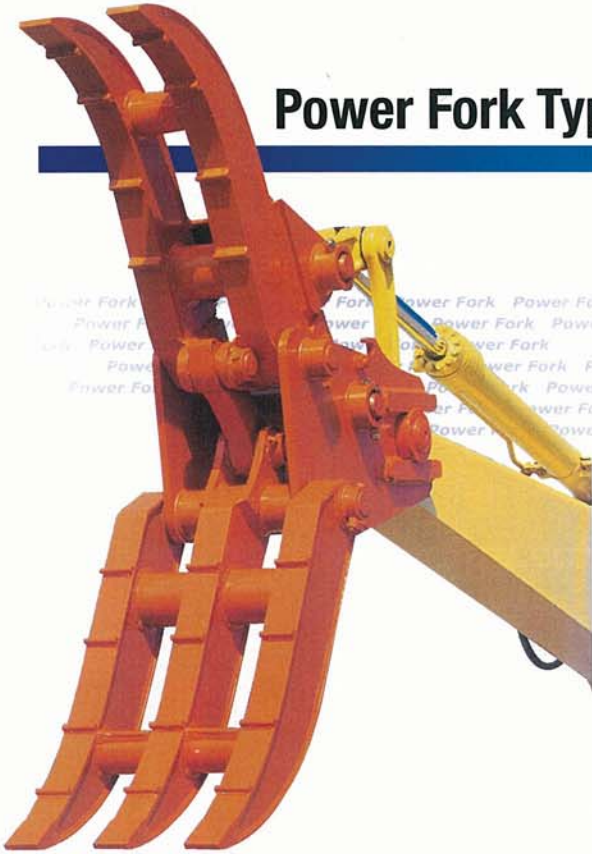


# General Catalog

Attachment



## Power Fork Type A

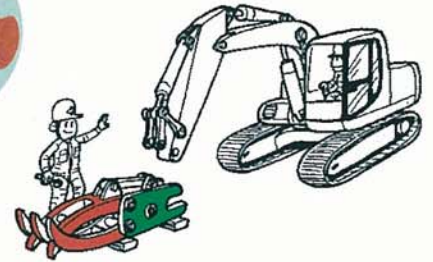


### ■ Specifications

Model	Weight (kg)	Opening width (mm)	Overall length (mm)	Claw width (mm)	Appropriate model (m <sup>3</sup> )
PF03	20	560	505	190	0.008~0.025
PF07	60	775	705	240	0.04~0.05
PF15	65	775	760	240	0.066~0.08
PF30	145	1040	975	300	0.08~0.11
PF40	220	1220	1140	350	0.14~0.22
PF60	390	1505	1410	405	0.28~0.40
PF120	510	1815	1645	545	0.45~0.50
PF200	900	2080	1880	700	0.80~1.0

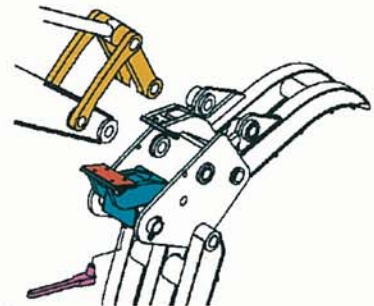
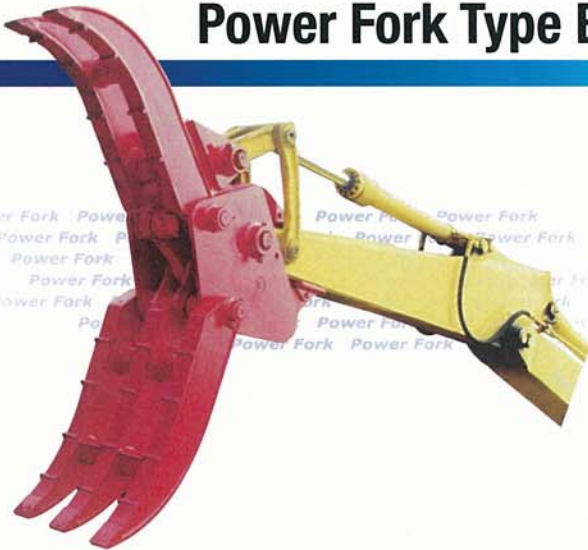


Easy mounting and detaching by roller pin



STD bucket changing without detaching link

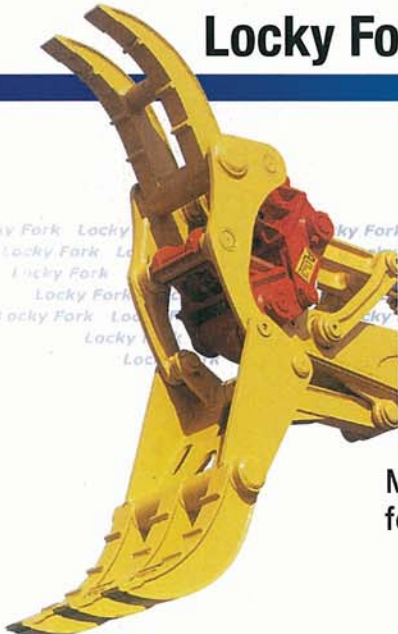
## Power Fork Type B



### ■ Specifications

Model	Weight (kg)	Opening width (mm)	Overall length (mm)	Claw width (mm)	Appropriate model (m <sup>3</sup> )
PF30B	150	1040	860	300	0.08~0.11
PF40B	240	1220	1010	350	0.14~0.22
PF60B	420	1505	1230	405	0.28~0.40
PF120B	600	1815	1480	545	0.45~0.50
PF200B	1030	2080	1700	700	0.80~1.0

## Locky Fork



A Lock mounted

Locky Fork mounted



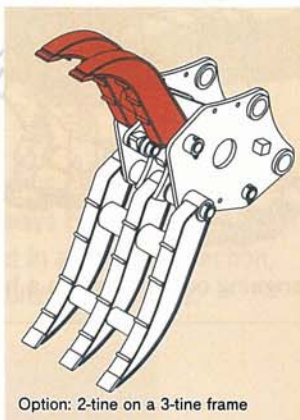
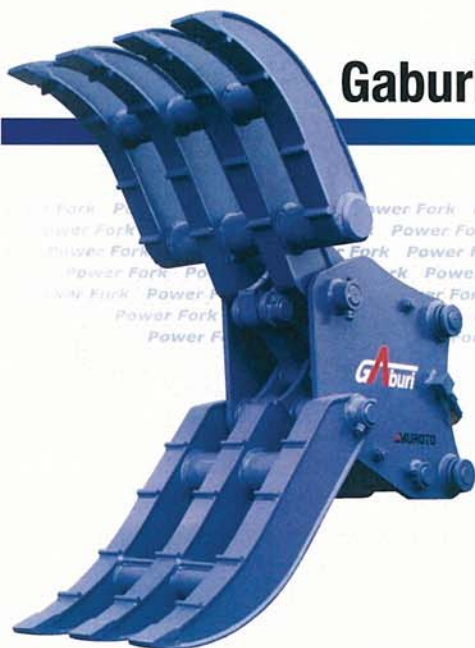
Mechanical grapple for A Lock

### ■ Specifications

Model	Weight (kg)	Opening width (mm)	Overall length (mm)	Claw width (mm)	Applicable base A Lock
LF30	70	1230	735	690	AL10
LF40	100	1400	820	780	AL20
LF60	180	1700	1030	980	AL(H)30
LF120	320	2025	1240	1175	AL(H)40
LF200	580	2430	1510	1430	AL(H)70



## Gaburi (Hydraulic Grapple)



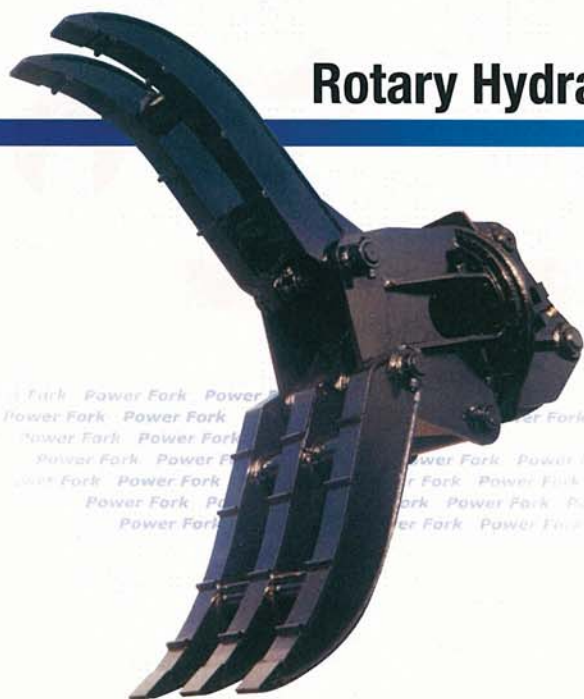
Option: 2-tine on a 3-tine frame

4-tine clamp on a 3-tine frame for enhanced grapping work efficiency.

### Specifications

Item	Model	GF60	GF120	GF200
Opening width (mm)		1505	1800	2080
Claw length (mm)		890	1010	1155
Claw width (mm)	Upper x 4	570	750	970
	Lower x 3	405	545	700
Overall length (mm)		1500	1620	1925
Weight (kg)		470	620	1040
Appropriate model (m <sup>3</sup> )		0.28~0.40	0.45~0.50	0.8~1.0

## Rotary Hydraulic Grapple



- 360° hydraulic rotation for wide operating ranges.
- Strong, smooth rotation proves effective in a wide range of grapping jobs.

### Specifications

Item	Model	GF60-RF	GF120-RF	GF200-RF
Max. length (mm)		1770	1980	2515
Max. opening width (mm)		1535	1825	2080
Claw width (mm)	Upper x 2	240	315	370
	Lower x 3	405	545	695
Weight (kg)		525	775	1260
Appropriate model (m <sup>3</sup> )		0.28~0.40	0.45~0.50	0.8~1.0

## Separate Fork



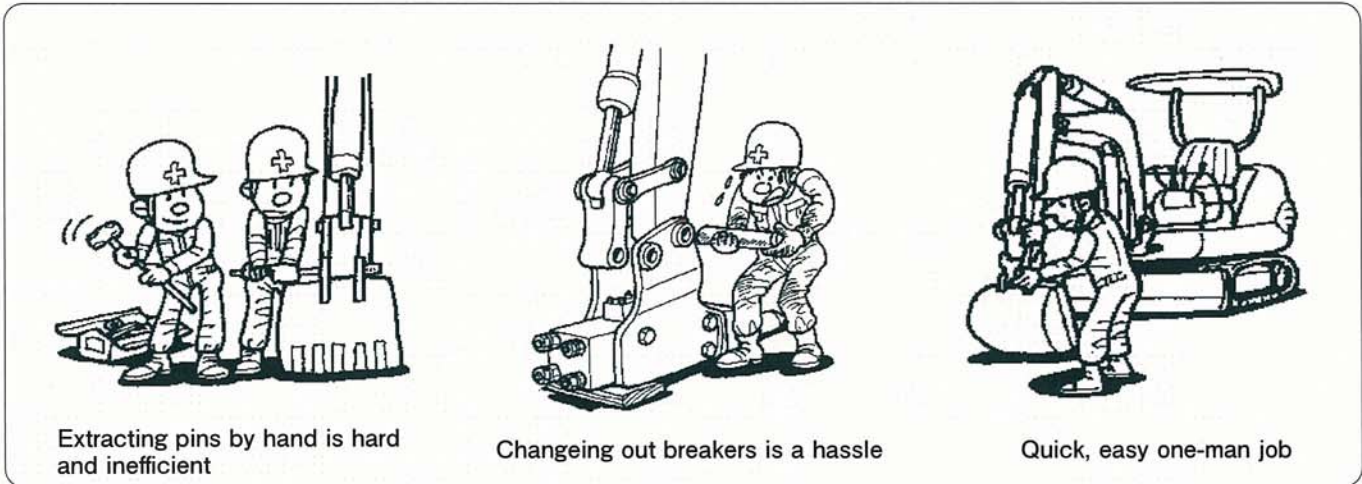
This hydraulic grapple is mounted on the underside of hydraulic excavator arms to enable grapping.



### Specifications

Item	Model	SF40	SF70	SF150
Claw length (mm)		1230	1530	1840
Claw width (mm)		500	670	965
Grappling angle (°)		130	110	140
The grappling force (Nm)		20.5	31.4	38.2
Operating pressure (MPa)		20.6	20.6	20.6
Weight (kg)		320	560	950
Appropriate model (m <sup>3</sup> )		0.45~0.50	0.8~1.0	1.8





Extracting pins by hand is hard and inefficient

Changing out breakers is a hassle

Quick, easy one-man job

## Mechanical Type

### How to mount



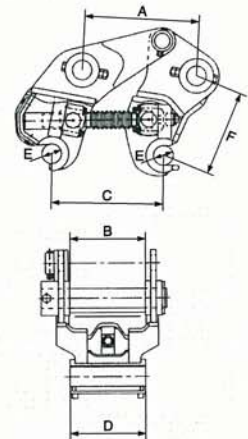
Set the safety lock plate and fix the stopper pin.

Hook the arm side claw of the A Lock onto the pin of the attachment.

Push the bucket cylinder to engage the link side claw of A Lock and tighten the adjustment bolt.

#### Specifications

Item	Model	AL10	AL20	AL30	AL40	AL70	AL100	AL150
Dimensions (mm)	A	187-209	247-277	306-343	389-439	445-503	488-554	562-630
	B	145	170	202	261	326.5	346	372
	C	140-250	180-330	225-390	310-540	368-570	402-625	457-696
	D	143.5	168	198	258	325	345	370
	E	Ø35	Ø45	Ø50	Ø60	Ø80	Ø90	Ø100
	F	180	210	245	285	350	396	436
Weight (kg)		30	50	85	130	260	440	645
Appropriate model (m)		0.066~0.11	0.14~0.22	0.28~0.40	0.45~0.50	0.8~1.0	1.4	1.8



## Hydraulic Type



Attachments are easily replaced from the operator's seat.

- Attachments do not drop off even if hydraulic hoses are damaged.
- Pressure is constantly applied to the A Lock. Even under external force, the pilot check valve activates to prevent the attachment from dropping off to secure safety.

#### Specifications

Item	Model	ALH30	ALH40	ALH70	ALH100	ALH150
Dimensions (mm)	A	312-338	392-432	460-509	487-564	563-630
	B	202	261	326.5	346	372
	C	247-364	324-500	365-555	398-673	457-696
	D	198	258	325	345	370
	E	Ø50	Ø60	Ø80	Ø90	Ø100
	F	245	285	370	400	455
Weight (kg)		100	180	340	510	750
Appropriate model (m)		0.28~0.40	0.45~0.50	0.8~1.0	1.4	1.8

\* To mount on heavy-duty hydraulic excavators, contact MURTO.  
\* Weight includes pins.

Remark: When A Lock is mounted, the attachment may interfere with a boom or cabin.



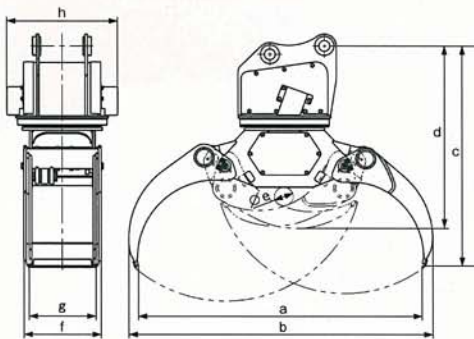
# Lumber Grapple



This purpose-specific grapple proves its effectiveness in forestry environmental management work.



- Powerful grappling and rotational torque.
- Lineup of solenoid valve type and 2-pedal type.



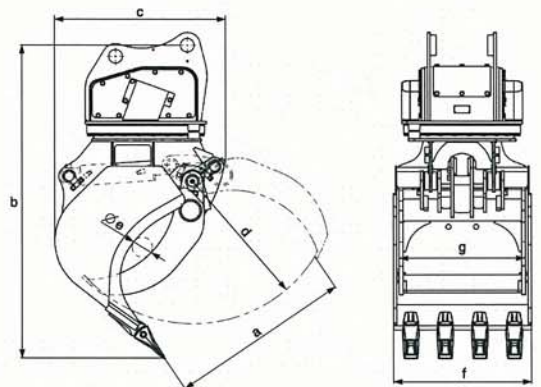
### Specifications

Item	Model	GPV40P	GPV40S	GPV60P	GPV60S	GPV65P	GPV65S	GPV120P	GPV120S
Control system		2-pedal type	Solenoid valve type	2-pedal type	Solenoid valve type	2-pedal type	Solenoid valve type	2-pedal type	Solenoid valve type
Weight (kg)		240	260	475	495	500	520	800	820
Rotational angle (°)		360		360		360		360	
Operating pressure (MPa)		20.6		20.6		20.6		20.6	
a: Max. opening width (mm)		1,430		1,720		1,720		2,010	
b: Overall length (mm)		1,530		1,845		1,845		2,165	
c: Overall height (mm)		1,100		1,335		1,350		1,590	
d: Min. height (mm)		930		1,120		1,140		1,335	
e: Min. grapping diameter (mm)		90		110		110		120	
f: Claw width (mm)		365		462		462		640	
g: Claw width (mm)		313		398		398		552	
h: Max. width (mm)		470		660		660		700	
Appropriate model (m <sup>3</sup> )		0.14~0.22		0.28~0.40		0.28~0.40		0.45~0.50	

# Hand Bucket



Digging, grappling and turning all in one attachment. Objects can be grappled and turned while digging.



### Specifications

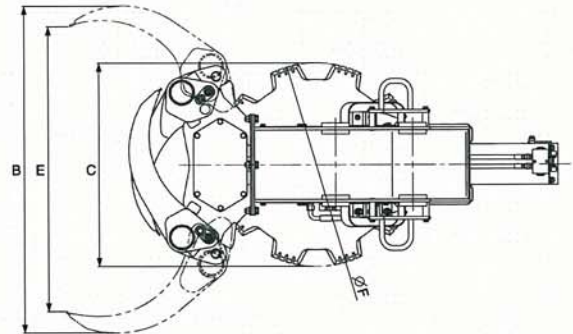
Item	Model	HB120S
Control system		Solenoid valve type
Weight (kg)		820
Rotational angle (°)		360
Operating pressure (MPa)		20.6
Bucket capacity (m <sup>3</sup> )		0.40
a: Max. opening width (mm)		1,050
b: Overall length (mm)		1,835
c: Overall height (mm)		985
d: Claw length (mm)		835
e: Min. grapping diameter (mm)		120
f: Bucket width (mm)		800
g: Claw width (mm)		732
Appropriate model (m <sup>3</sup> )		0.45~0.50



## Multi Cutter (Rotary Blade Type)

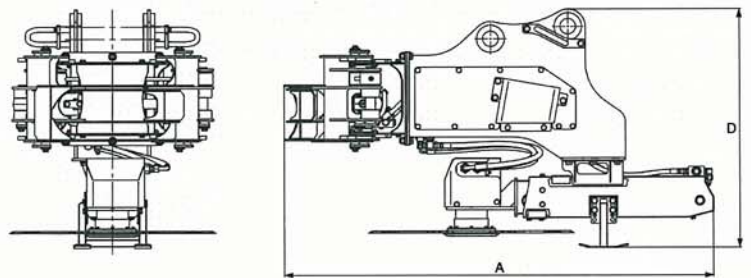


- Suitable for cutting sugarcane.
- Enables speedy work.



### Specifications

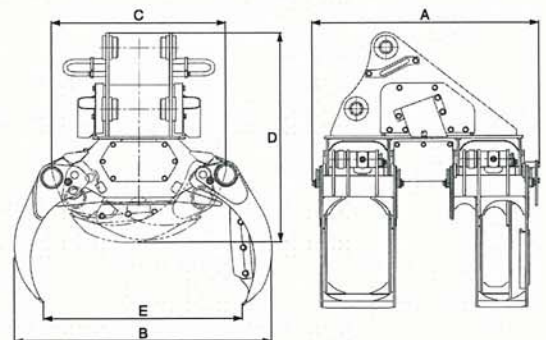
Item	Specification
Appropriate model (m <sup>2</sup> )	0.14~0.22/0.28~0.40
Model	SCR40
Attachment Weight (kg)	400
A: Overall length (mm)	1,775
B: Overall width with claw open (mm)	1,365
C: Overall width with claw closed (mm)	850
D: Overall height (mm)	1,000
E: Max. opening width (mm)	1,190
F: Rotary blade diameter (mm)	850
Rated speed (rpm)	575
Max. speed (rpm)	690
Rated pressure (MPa)	20.6



## Grapple Cutter (Scissors Type)



- Suitable for cutting sugarcane, bushes, etc.
- Easily changed bolt-mounted scissors.

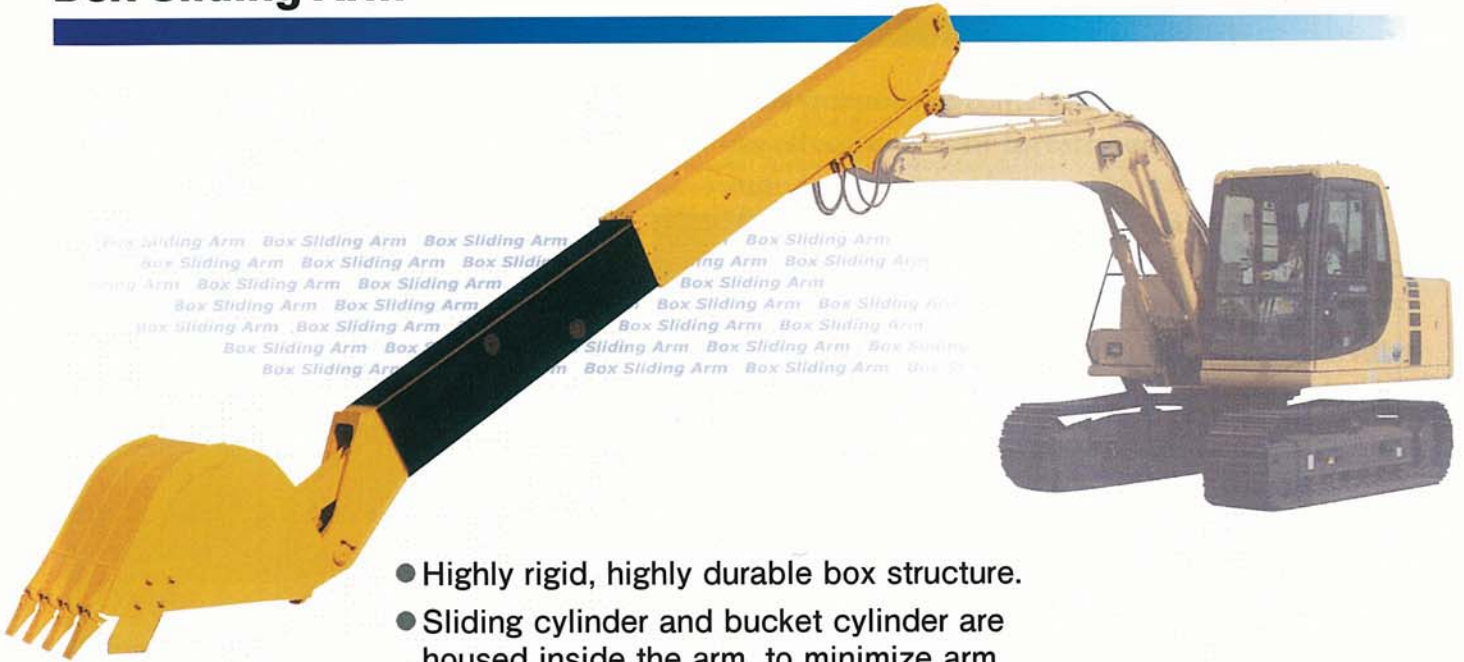


### Specifications

Item	Specification
Appropriate model (m <sup>2</sup> )	0.28~0.40
Model	SCC60
Attachment Weight (kg)	440
A: Overall length (mm)	1,090
B: Overall width with claw open (mm)	1,225
C: Overall width with claw closed (mm)	830
D: Overall height (mm)	1,010
E: Max. opening width (mm)	950
Rated pressure (MPa)	20.6



# Box Sliding Arm



- Highly rigid, highly durable box structure.
- Sliding cylinder and bucket cylinder are housed inside the arm, to minimize arm extension and lessen worries about obstructions while working.

■ Applicable base machines

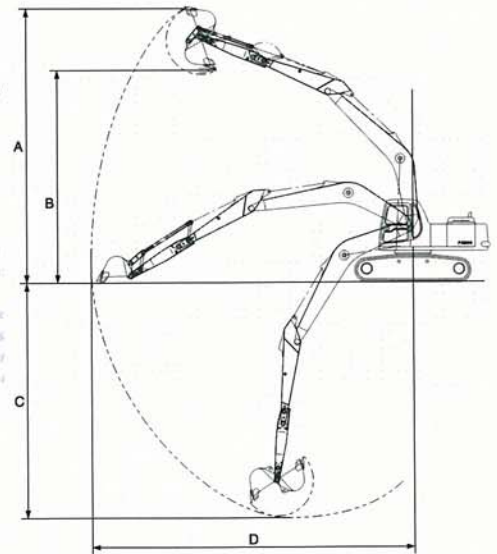
Sliding length	Appropriate model (m <sup>3</sup> )
0.8	0.14~0.22
1.1	0.28~0.40
1.5	0.28~0.40/0.45~0.50
2.0	0.45~0.50/0.8~1.0

\* Partial remodeling required for mounting, therefore contact MUROTO.

# Extention Arm



Mount on standard arm to expand range of work.



\* Ordinary extension arms destabilize excavator balance when mounted.

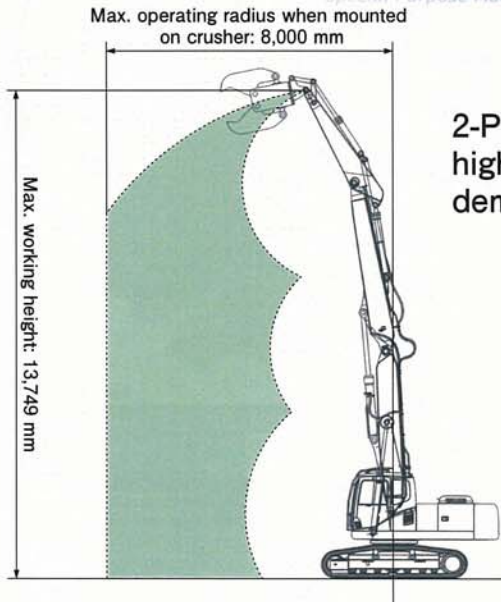
■ Specifications

Item	Appropriate model (m <sup>3</sup> )	0.14~0.22	0.28~0.4	0.50	0.8~1.0	0.28	0.28~0.4	0.45	0.8~1.0
A: Max. digging height (mm)		6830	7811	9490	9799	7951	7976	10373	11791
B: Max. dumping height (mm)		5075	5712	7047	7590	5808	5834	8023	8837
C: Max. digging depth (mm)		4770	5086	6376	8321	5127	5105	6940	8578
D: Max. digging radius (mm)		6385	7276	9700	11428	7110	7356	9631	11532
Operating bucket capacity		0.14	0.18	0.33	0.45	0.18	0.18	0.33	0.45
Arm length (mm)		800	1000	1500	2000	1000	1000	1500	2000

\* Some attachments are not compatible with certain excavators, therefore contact MUROTO.

\* For the sake of product improvement, specifications, performance and dimensions are subject to change without notice.

## 2-Piece Boom



2-Piece Boom for higher and tougher demolition jobs.

\* Mount attachments of 2,300 kg or less



Demolition work in progress

## Marine Tractor

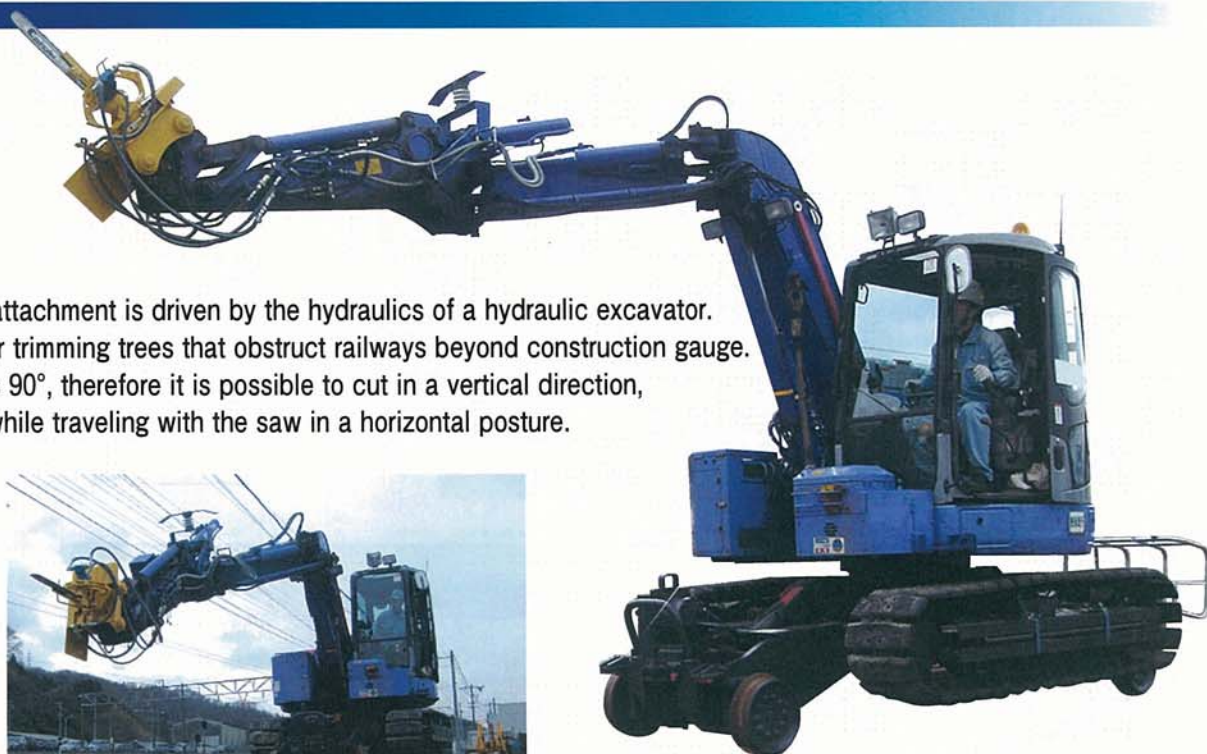


- Suitable for moving and managing boats at yacht harbors, etc.





## Tree Cutter



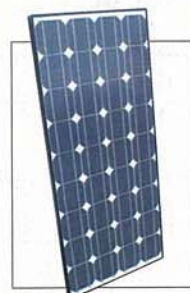
This chainsaw attachment is driven by the hydraulics of a hydraulic excavator. It is practical for trimming trees that obstruct railways beyond construction gauge. The saw rotates 90°, therefore it is possible to cut in a vertical direction, as well as cut while traveling with the saw in a horizontal posture.



## Battery-Powered LED Floodlight (Solar Panel Compatible)

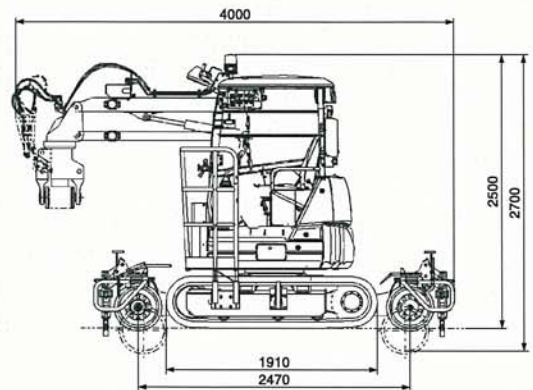


Recharging is possible from an AC outlet or a separately sold solar panel system. The standalone floodlight can be located away from the generator and multiple floodlights can be connected at the same time.





## Bridge Tie Replacer



This machine is designed specifically to replace bridge ties. Using a master-slave control system, the grapple follows movements of the master lever. It improves safety in places with difficult footing and lessens the load placed on workers.



## Grappling Bucket



MUROTO offers these grappling buckets in standard and narrow track specifications for users to select according to track gauge.

Appropriate model (m<sup>3</sup>): 0.14 to 0.22 (PC58UUT)  
0.28 to 0.40 (PC78UUT)

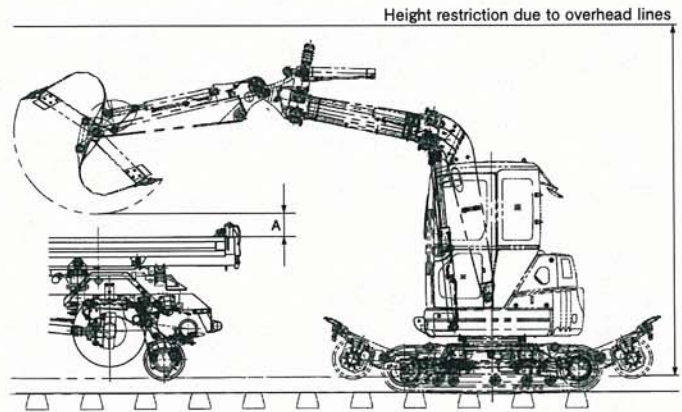




## Slim A Lock for Railroad (AL20T)

This slim A Lock is designed with a narrower pitch between pins than the standard A Lock (AL20), so as to improve loading on track with height restrictions.

Appropriate model (m<sup>3</sup>): 0.14 to 0.22 (PC58UUT)



## Emergency Hydraulic Power Unit



This unit can be used to move an excavator which has stalled on the railroad. This unit supplies oil directly to the crawler motor so that the excavator can exit from the railroad by crawling.

\* Levers directly operate hydraulic valves to enable forward and reverse travel and steering.



## Other Railroad Attachments (Order Made)



MUROTO can customize railroad maintenance attachments to order and remodel hydraulic excavators and other machines for travel along tracks. Contact MUROTO for more information.





## **Muroto Industrial Co., Ltd.**

Headquarters / Production Division  
1-3 Kogyodanchi Kushimachi Komatsu city,  
Ishikawa pref. 923-8603 Japan  
Phone: 81-761-44-2111 (Main) Fax: 81-761-44-2357  
URL <http://www.muroto.co.jp/>

### **(K. S. P. Corp.)**

23 Tsu Futsumachi, Komatsu city,  
Ishikawa pref. 923-0392 Japan  
(c/o Komatsu's Awazu Plant.)  
Phone: 81-761-43-4841 Fax: 81-761-43-4845